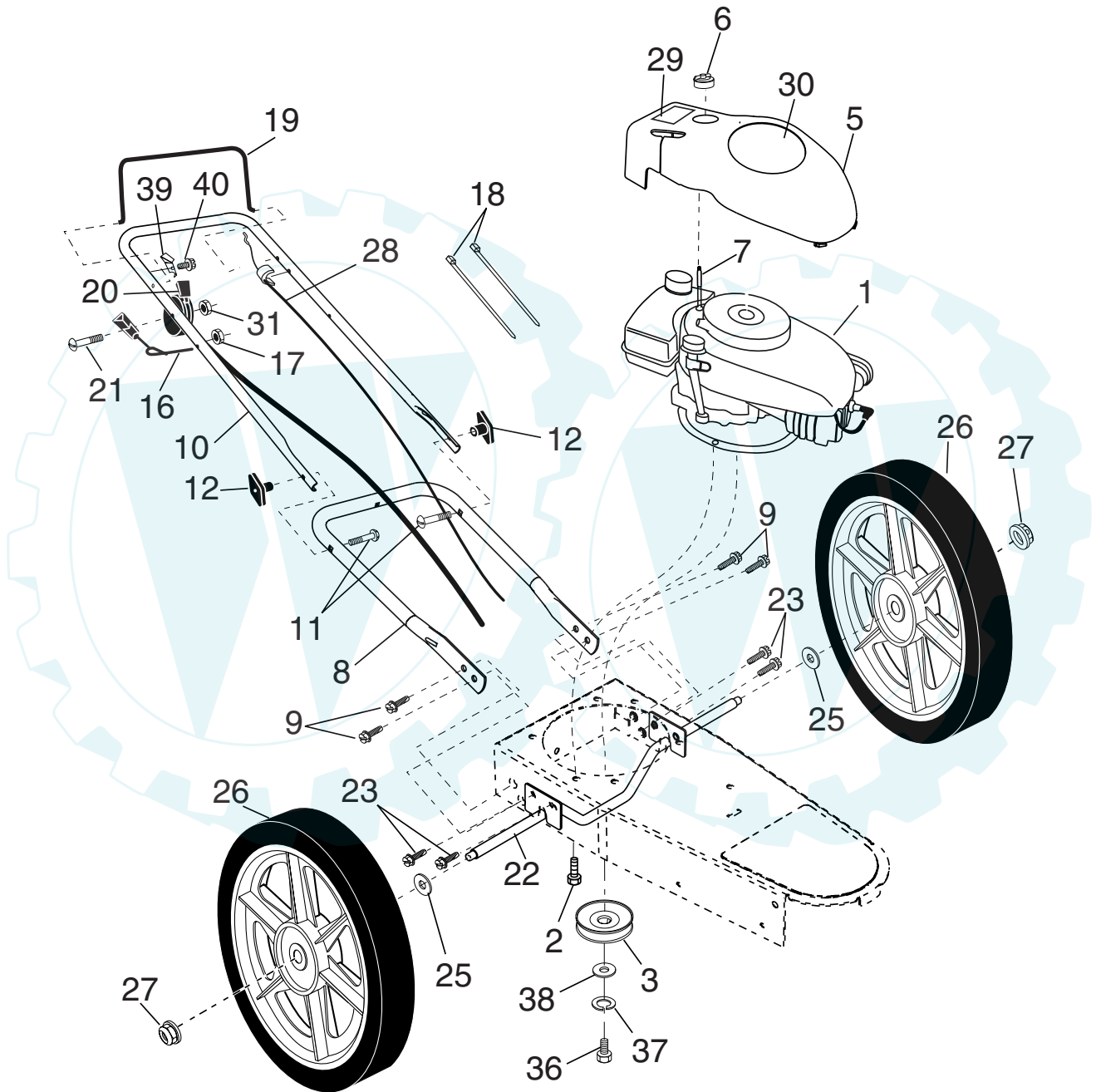


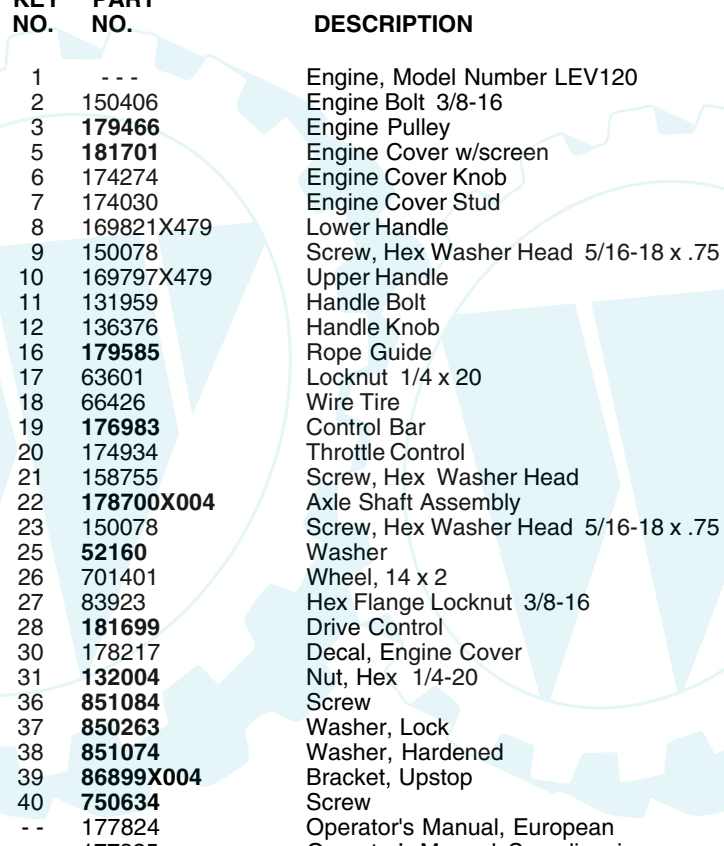
**REPAIR PARTS MANUAL
MODEL NUMBER RWT42014B
WHEELED WEEDTRIMMER**

Rally

WEEDTRIMMER - MODEL NUMBER RWT42014B



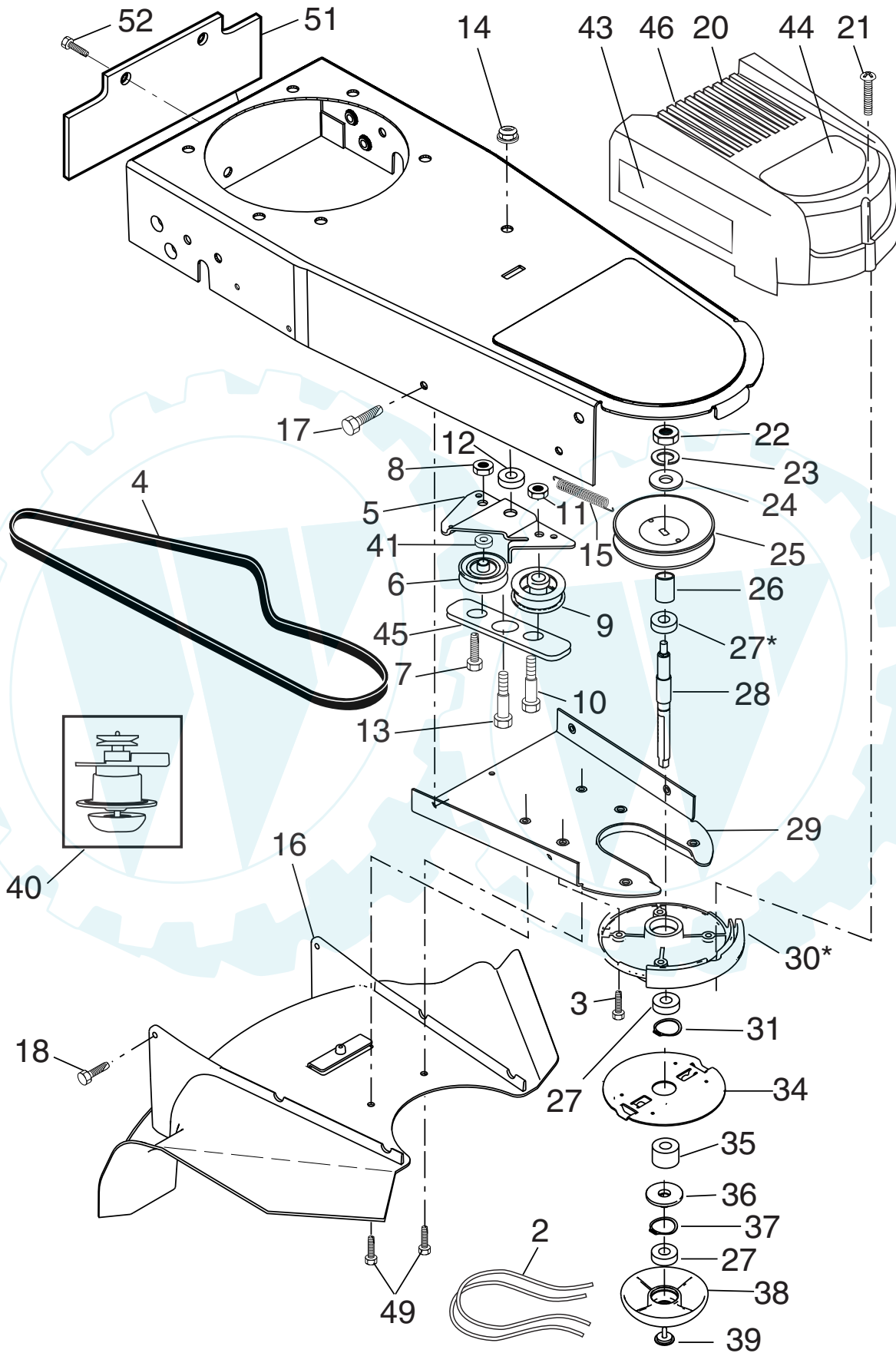
WEEDTRIMMER - MODEL NUMBER RWT42014B



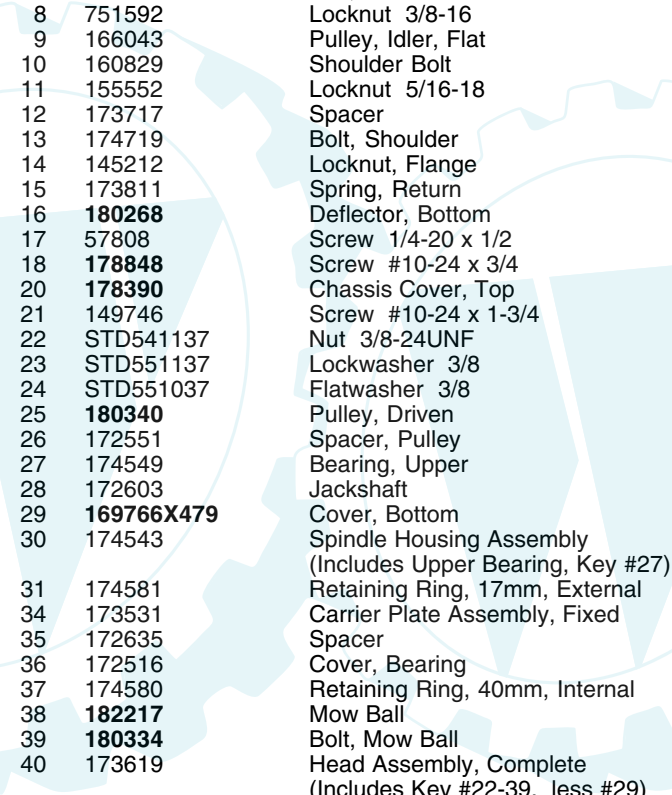
KEY NO.	PART NO.	DESCRIPTION
1	---	Engine, Model Number LEV120
2	150406	Engine Bolt 3/8-16
3	179466	Engine Pulley
5	181701	Engine Cover w/screen
6	174274	Engine Cover Knob
7	174030	Engine Cover Stud
8	169821X479	Lower Handle
9	150078	Screw, Hex Washer Head 5/16-18 x .75
10	169797X479	Upper Handle
11	131959	Handle Bolt
12	136376	Handle Knob
16	179585	Rope Guide
17	63601	Locknut 1/4 x 20
18	66426	Wire Tire
19	176983	Control Bar
20	174934	Throttle Control
21	158755	Screw, Hex Washer Head
22	178700X004	Axle Shaft Assembly
23	150078	Screw, Hex Washer Head 5/16-18 x .75
25	52160	Washer
26	701401	Wheel, 14 x 2
27	83923	Hex Flange Locknut 3/8-16
28	181699	Drive Control
30	178217	Decal, Engine Cover
31	132004	Nut, Hex 1/4-20
36	851084	Screw
37	850263	Washer, Lock
38	851074	Washer, Hardened
39	86899X004	Bracket, Upstop
40	750634	Screw
--	177824	Operator's Manual, European
--	177825	Operator's Manual, Scandinavian
--	181863	Repair Parts Manual, English

NOTE: All component dimensions given in U.S. inches
1 inch = 25.4 mm

WEEDTRIMMER - MODEL NUMBER RWT42014B



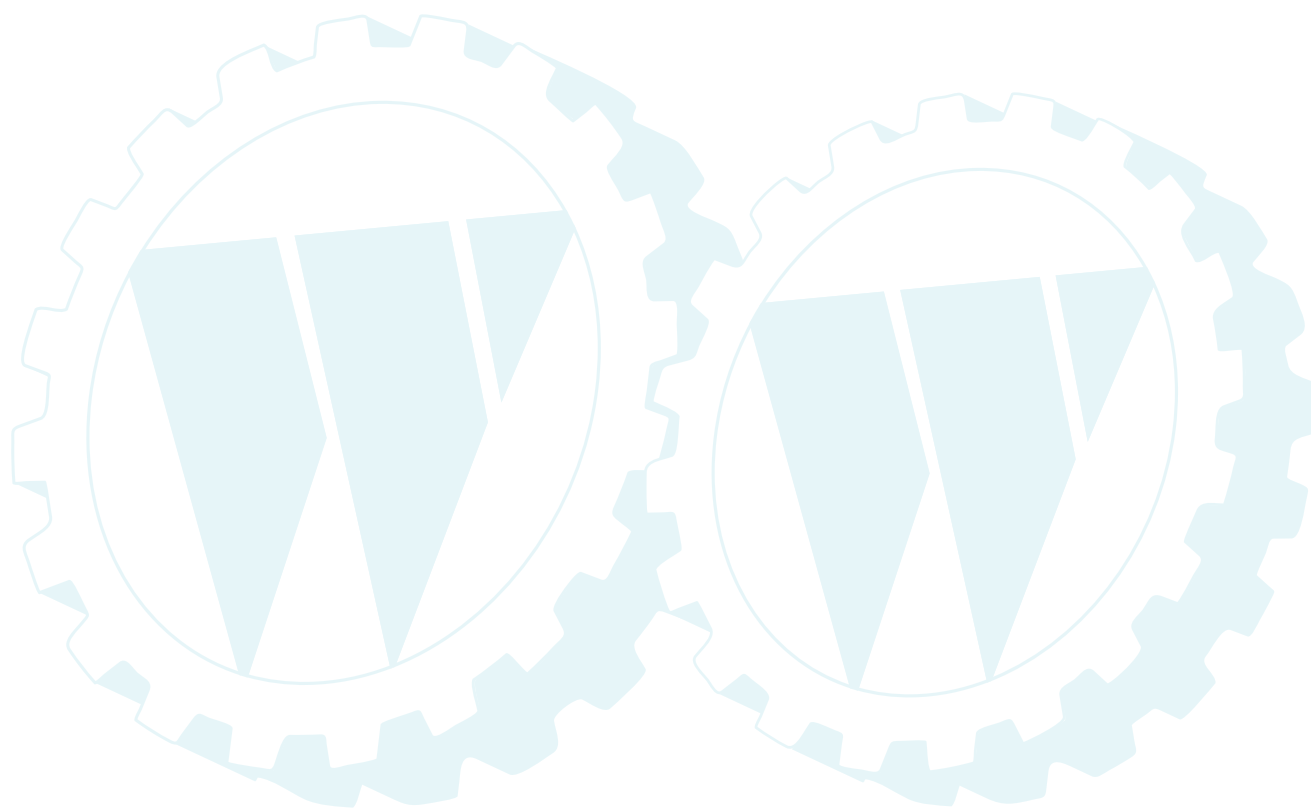
WEEDTRIMMER - MODEL NUMBER RWT42014B



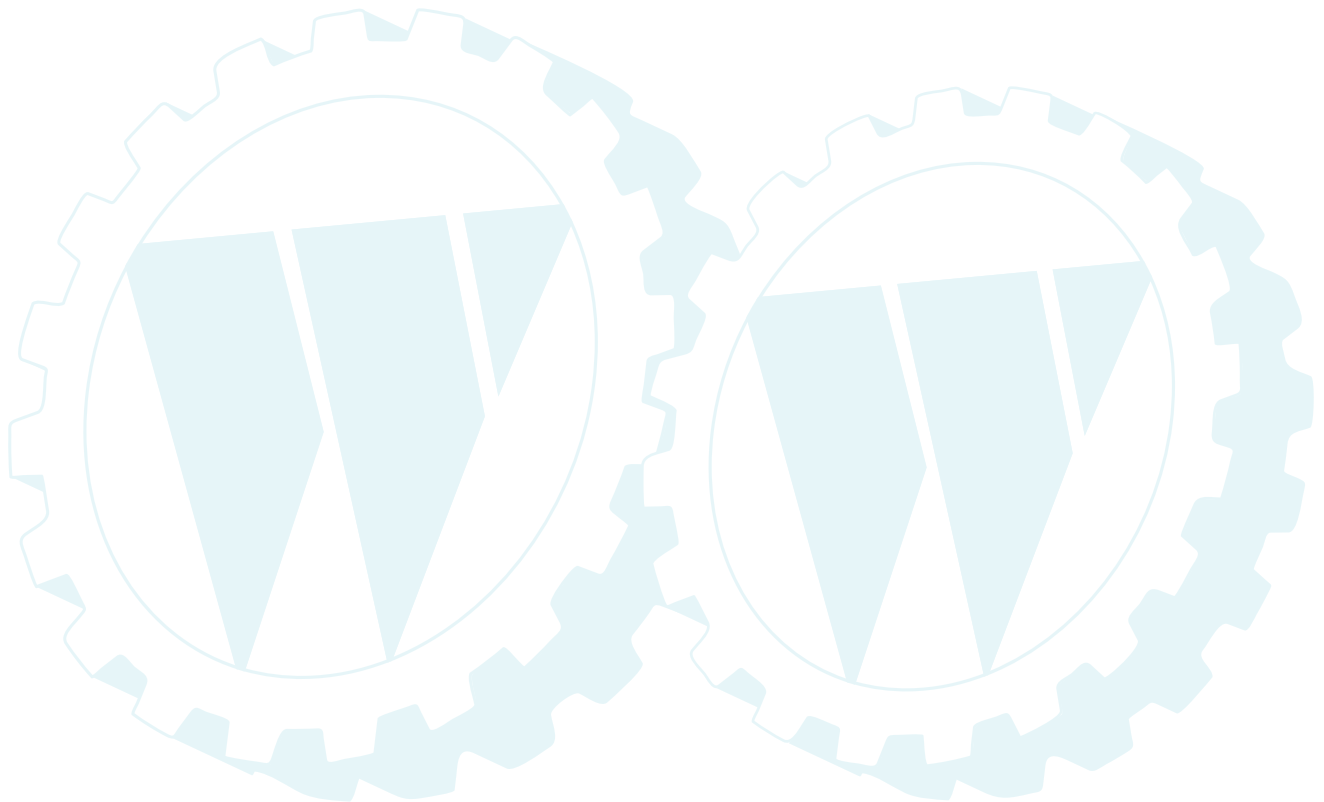
KEY NO.	PART NO.	DESCRIPTION
1	174031X505	Chassis Assembly
2	174040	Line, .155 diameter x 18.75 long
3	150078	Screw, Self-Tapping 5/16-18 x 1
4	169790	V-Belt
5	172145X004	Bracket, Idler
6	166042	Pulley, Idler, V-Groove
7	173716	Bolt, Hex Head 3/8-16 x 1.25
8	751592	Locknut 3/8-16
9	166043	Pulley, Idler, Flat
10	160829	Shoulder Bolt
11	155552	Locknut 5/16-18
12	173717	Spacer
13	174719	Bolt, Shoulder
14	145212	Locknut, Flange
15	173811	Spring, Return
16	180268	Deflector, Bottom
17	57808	Screw 1/4-20 x 1/2
18	178848	Screw #10-24 x 3/4
20	178390	Chassis Cover, Top
21	149746	Screw #10-24 x 1-3/4
22	STD541137	Nut 3/8-24UNF
23	STD551137	Lockwasher 3/8
24	STD551037	Flatwasher 3/8
25	180340	Pulley, Driven
26	172551	Spacer, Pulley
27	174549	Bearing, Upper
28	172603	Jackshaft
29	169766X479	Cover, Bottom
30	174543	Spindle Housing Assembly (Includes Upper Bearing, Key #27)
31	174581	Retaining Ring, 17mm, External
34	173531	Carrier Plate Assembly, Fixed
35	172635	Spacer
36	172516	Cover, Bearing
37	174580	Retaining Ring, 40mm, Internal
38	182217	Mow Ball
39	180334	Bolt, Mow Ball
40	173619	Head Assembly, Complete (Includes Key #22-39, less #29)
41	174029	Spacer
43	182203	Decal, Instruction
44	178216	Decal, Chassis Cover
45	174596X479	Bottom Belt Keeper
46	182204	Decal, Safety
49	17060408	Screw
50	179875	Skirt
51	178848	Screw

NOTE: All component dimensions given in U.S. inches
1 inch = 25.4 mm

SERVICE NOTES



SERVICE NOTES



LIMITED WARRANTY

The Manufacturer warrants to the original consumer purchaser that this product as manufactured is free from defects in materials and workmanship. For a period of two (2) years from date of purchase by the original consumer purchaser, we will repair or replace, at our option, without charge for parts or labor incurred in replacing parts, any part which we find to be defective due to materials or workmanship. This Warranty is subject to the following limitations and exclusions.

1. This warranty does not apply to the engine. Please refer to the applicable manufacturer's warranty on these items.
2. Transportation charges for the movement of any power equipment unit or attachment are the responsibility of the purchaser. Transportation charges for any parts submitted for replacement under this warranty must be paid by the purchaser unless such return is requested by your dealer.
3. The Warranty period for any products used for rental or commercial purposes is limited to 45 days from the date of original purchase.
4. This Warranty applies only to products which have been properly assembled, adjusted, operated, and maintained in accordance with the instructions furnished. This Warranty does not apply to any product which has been subjected to alteration, misuse, abuse, improper assembly or installation, delivery damage, or to normal wear of the product.
5. Exclusions: Excluded from this Warranty are belts, rotating lines, rotating line adapters, normal wear, normal adjustments, standard hardware and normal maintenance.
6. In case of any problem within the boundaries of this warranty, contact the nearest department store, indicate the model number, serial number and the date of purchase of your machine. This warranty does not apply to accidental damages. All implicit warranties are limited to the same time frames. Or contact:

E.M. Services
54 Rue Lambrechts
92400 Courbevoie
France
Telephone: (1) 46678078
Fax: (1) 46678095

THIS WARRANTY DOES NOT APPLY TO INCIDENTAL OR CONSEQUENTIAL DAMAGES. ANY IMPLIED WARRANTIES ARE LIMITED TO THE SAME TIME PERIODS STATED HEREIN.

Rally

Der Ersatzteilspezialist im Internet.